

HDS-5895TVI-IRM 3MP WDR EXIR Turret Camera



Key Features

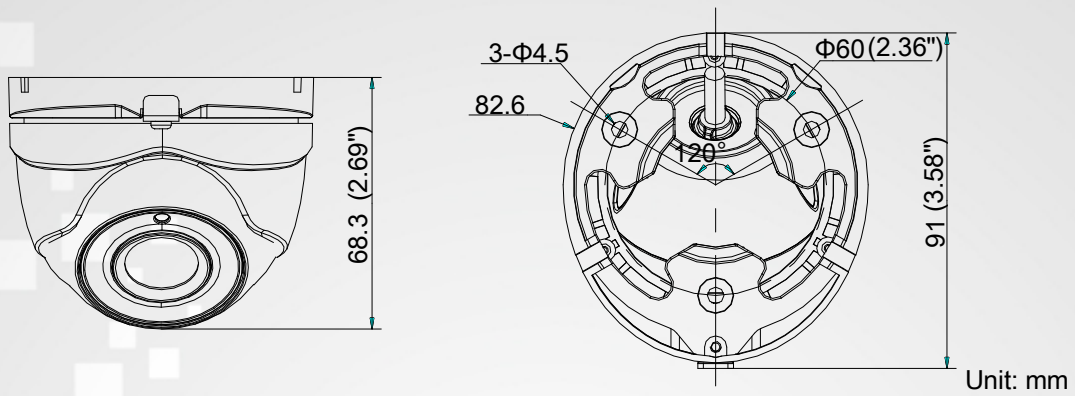
- 3 Megapixel high-performance CMOS
- Analog HD output, up to 3MP resolution
- 2.8mm, 3.6mm, 6mm lens
- True Day/Night
- OSD menu, DNR, Smart IR
- True WDR, up to 120dB
- EXIR technology, up to 20m IR distance
- IP66 weatherproof
- Up the Coax



Specifications

Camera	
Image Sensor	3MP CMOS Image Sensor
Effective Pixels	2052(H)*1536(V)
Min. illumination	0.01 Lux @ (F1.2,AGC ON),0 Lux with IR
Shutter Time	1/25s to 1/50,000s
Lens	2.8mm, 3.6mm, 6mm Lens @ F1.2
Lens Mount	M12
Day & Night	ICR
Angle Adjustment	Pan: 0° - 360°; Tilt:0° - 75°; Rotate: 0° - 360°
Synchronization	Internal Synchronization
WDR	120dB
Video Frame Rate	1920×1536@18fps
HD Video Output	1 Analog HD output
S/N Ratio	> 62dB
Menu	
AGC	Support
D/N Mode	Color/BW/SMART
White Balance	ATW/ MWB
BLC	Support
Functions	Wide Dynamic Range, Digital noise reduction, Mirror, SMART IR
General	
Operating Conditions	-40 °C – 60 °C (-40 °F – 140 °F), Humidity 90% or less (non-condensing)
Power Supply	12 VDC ± 15%
Power Consumption	Max. 5W
Protection Level	IP66
IR Range	10 to 20m
Communication	Up the coax, Protocol: TVI output
Dimensions	91mm×82.6mm×68.3mm (3.58"×3.25"×2.69")
Weight	Approx. 350g (0.77lb)

Dimensions



Accessories



Wall Mounting



Vertical Pole Mounting



Corner Mounting



Junction Box



Inclined Ceiling Mounting



Video Balun



Camera Tester