

HDS-V6510IRP

1.3MP Outer-vehicle Network Camera



Features:

- Up to 1280×960 @ 30 fps for real-time output
- ROI and SVC are adopted with high compression ratio, flexible disposeure and low bitrate
- Progressive scan CMOS with smooth and fluent capture for moving object
- Effective IR lamp with long life-span; 20-30m IR distance
- IR cut filter with auto switch
- 3D DNR and DWDR
- Two streams; mobile phone viewing is supportable
- PoE power supply is supportable
- IP68 design with high reliability
- Heater for demisting
- Rotate mode, BLC, DWDR are for different environment
- Function: Heartbeat, mirror, watermark, etc
- Universal angle adjustment with analog output for convenient installation
- Vandal-proof
- Support authentication for vehicle surveillance

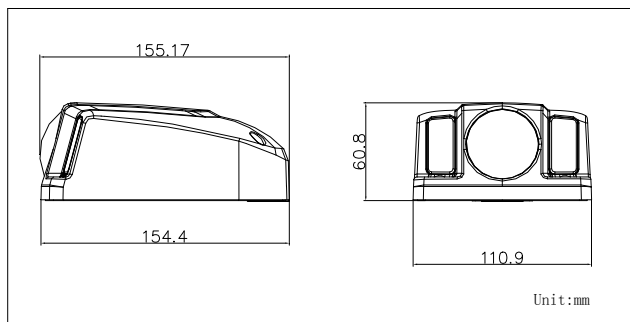
Application:

Bus, train or enforcement vehicle that with high vibration and dark light.
High resolution requirement.

Order Models:

HDS-V6510IRP

Dimension:



Specification:

Model	HDS-V6510IRP
Parameter	1.3MP Outer-vehicle Network Camera
Camera	
Image Sensor	1/3" Progressive Scan CMOS
Min. Illumination	0.01 Lux @(F1.2,AGC ON), 0 Lux with IR 0.028 Lux @(F2.0,AGC ON), 0 Lux with IR
Shutter Speed	1/3s~1/100,000s
Lens	4mm@ F2.0, angle of view: 73.1° (6mm, 46° ; 8mm, 35.5° ; 12mm, 22° optional)
Angle Adjustment	(Universal) H: -15°~15°, V: 0°~30°, R: -90° ~90°
Lens Mount	M12
Day & Night	ICR
DNR	3D Digital Noise Reduction
DWDR	Digital Wide Dynamic Range
Compression Standard	
Video Compression	H.264 / MJPEG
H.264 Type	Base Line Profile/Main Profile
Video Bit Rate	32Kbps~8Mbps
Image	
Max. Resolution	1280 × 960
Frame Rate	50Hz: 25fps (1280 × 960), 25fps (1280 × 720) 60Hz: 30fps (1280 × 960), 30fps (1280 × 720)
Image Setting	Rotate mode, BLC, DWDR, Saturation, Brightness, Contrast & sharpness are adjusted via client or web-browser
BLC	Regions can be selected
ROI	Support
Network	
Network Storage	NAS (Support NFS,SMB/CIFS)
Intelligent Alarm	Motion detection, Tampering alarm, Network disconnect, IP address conflict
Protocol Supportable	TCP/IP,ICMP,HTTP,HTTPS,FTP,DHCP,DNS,DDNS,RTP,RTSP,RTCP, PPPoE,NTP,UPnP,SMTP,SNMP,IGMP,802.1X,QoS,IPv6,Bonjour
Interface protocol	ONVIF (PROFILE S,PROFILE G),PSIA,CGI,ISAPI
General	Reset, flickerless, heartbeat, mirror, rotate mode, password protection, video masking, watermark
Interface	
Communication	1 -ch RJ45 10M / 100M self-adaptive Ethernet port
Video Output	1Vp-p composite output (75 Ω/BNC)
General	
Working temperature and humidity	-40 °C – 70 °C Humidity 95% or less (non-condensing)
Power Supply	DC12V±10% / PoE(802.3af)
Power	DC12V: 7W MAX PoE: 8.5W MAX
Ingress Protection	IP68
Impact Protection	IEC 60068-2-75 test,Eh,50J;EN 50102, IK10 EN50155
IR Distance	20-30 m
Dimensions (mm)	Φ155.17 × 110.9 × 60.8mm
Weight	846g