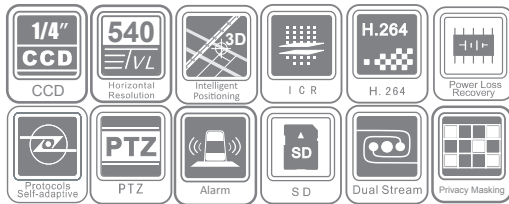


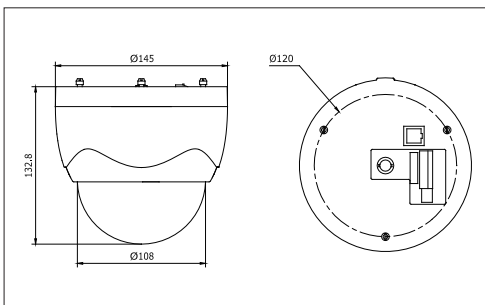
# 4 Inch Network High Speed Dome



## Key features

- 1/4" Sony CCD
- High resolution of 540TVL (Color) / 600TVL (B/W)
- 12x optical zoom, 16x digital zoom
- True Day/Night
- 3D intelligent positioning function
- Powerful PTZ control

## Dimensions



## Accessories



(Long-arm Wall Mount Bracket)



(In-ceiling Mount Bracket)

HDS-PT402H (Indoor)	
<b>Camera</b>	
Image Sensor	1/4" SONY Interline Transfer Super HAD- II CCD
Effective Pixel	PAL:752(H)×582(V) , NTSC:768(H)×494(V)
Horizontal Resolution	Color: 540 TVL , B/W: 600 TVL
Signal System	PAL /NTSC
Min.Illumination	Color: 0.2Lux/ (F1.6 AGC ON), B/W: 0.02Lux/(F1.6 AGC ON)
White Balance	Auto/ATW/Indoor/Outdoor/One push
AGC	Auto / Manual
S / N Ratio	≥ 50dB
3D DNR	High/Medium/Low/off
BLC	On / Off
Shutter Time	PAL: 1/50-1/10,000s , NTSC: 1/60-1/10,000s
Day & Night	IR Cut Filter
Digital Zoom	16x
Privacy Masking	8 privacy masks programmable; a maximum of 8 zones can be masked simultaneously on the same video screen
Focus Mode	Auto / Semiautomatic / Manual
<b>Lens</b>	
Focal Length	3.8-45.6mm,12x
Zoom Speed	Approx.2s(Optical Wide-Tele)
Angle of View	10-1500mm(Wide-Tele)
Min. Working Distance	10-1,000mm(Wide-Tele)
Aperture Range	F1.6-F2.7
<b>Pan and Tilt</b>	
Pan Range	360°endless
Pan Speed	Pan Manual Speed: 0.1°-300°/s, Pan Preset Speed: 400°/s
Tilt Range	-2°-90° (Auto Flip )
Tilt Speed	Tilt Manual Speed: 0.1°-90°/s, Tilt Preset Speed: 200°/s
Proportional Zoom	Rotation speed can be adjusted automatically according to zoom multiples
Number of Preset	256
Patrol	8 patrols, up to 32 presets per patrol
Pattern	4 patterns, with the recording time not less than 10 minutes per pattern
Power-off Memory	Support
Park Action	Preset / Patrol / Pattern / Auto scan/Random scan / Frame scan / Panorama scan
PTZ Position Display	On / Off
Preset Freezing	Support
<b>Alarm</b>	
Alarm Input	1
Alarm Output	1 relay outputs, alarm response actions configurable
Alarm Actions	Preset, Patrol, Pattern, SD card recording, Relay output, Notification on Client
<b>Input/ Output</b>	
Monitor Output	1.0V[p-p] / 75Ω, NTSC (or PAL) composite, BNC
Audio Input	Audio input (LINE input), 2-2.4V[p-p]; output impedance: 1KΩ, ±10%
Audio Output	Line level, impedance: 600Ω
<b>Network</b>	
Ethernet	10Base-T / 100Base-TX, RJ45 connector
Max.Image Resolution	PAL:704×576, NTSC:704×480
Frame Rate	PAL :25 fps (704×576), NTSC: 30 fps (704×480)
Image Compression	H.264/MJPEG
Audio Compression	G.711
Protocols	IPV4,HTTP,FTP,SMTp,SNMP,DNS,NTP,RTSP,RTP,TCP, UDP,IGMP, ICMP,DHCP, PPPoE(HTTPS optional)
No. of Simultaneous Users	Up to 6 users
Dual Streams	Support
Mini SD Memory Card	Manual REC / Alarm REC. Built-in SD/SDHC Slot, up to 32GB
User/Host Level	3 Levels: Administrator, Camera control, Live view only
Security Measures	User authentication (ID and PW), Host authentication (MAC address)
<b>Client GUI</b>	
Camera Control	Pan / Tilt, Zoom, Focus, Click centering, Drag zoom, Iris, Preset position call and program, Auto mode.
Camera Name	Up to 18 characters
Date & Time Display	Time: Week: Date, 6 formats on the Client
Reading Patrol Message	Display and reading of preset message contained in each patrol via client software
<b>General</b>	
Menu Language	English
RS-485 Protocols(optional)	HIKVISION, Pelco-P, Pelco-D, self-adaptive
Power Supply	12VDC/2A, PoE(IEEE 802.3at)
Power Consumption	12W max
Working Temperature / Humidity	-10°C -50°C (14 °F -122 °F )(indoor dome ), 90% or less
Mounting	Various mounting modes optional
Dimensions	Ø145×132.8mm(Ø5.71"×5.23")(Indoor)
Weight (approx.)	2kg (4.41lbs)
Mount Option	Indoor long-arm wall mount :DS-1616ZJ Indoor pendant mount : DS-1653ZJ/ DS-1654ZJ; Indoor in-ceiling mount: DS-1671ZJ