

HDS-AE7168IR-A series

E series Analog IR PTZ Dome Camera



Key feature

IR function:

- 0 Lux minimum illumination
- Up to 100m IR distance
- IR light MTBF reaching up to 30,000 hours

System function:

- 1/4" high performance Sony CCD
- $\pm 0.1^\circ$ Preset Accuracy
- Self-adaptive to Pelco-P/D protocol
- 3D intelligent positioning function
- Power-off memory function: restore PTZ & Lens status after reboot
- Built-in temperature sensor, display internal temperature
- IP66 standard (outdoor dome)
- Scheduled PTZ movement

Camera function:

- Auto focus, auto white balance, and auto/manual day & night switch
- Privacy masks programmable
- Support 3D DNR, DWDR and digital zoom

PTZ function:

- 360° endless pan range and -15°-90° tilt range
- 240°/s Pan Preset Speed and 200°/s Tilt Preset Speed
- 0.1°-160°/s Manual Pan Speed and 0.1°-120°/s Manual Tilt Speed
- 256 presets programmable; preset image freezing capability
- 8 patrols, up to 32 presets per patrol
- 4 patterns, with the total recording time not less than 10 minutes

- Proportional zoom function
- Park action: auto call up of PTZ movement, after a defined time of inactivity

Application Scenarios

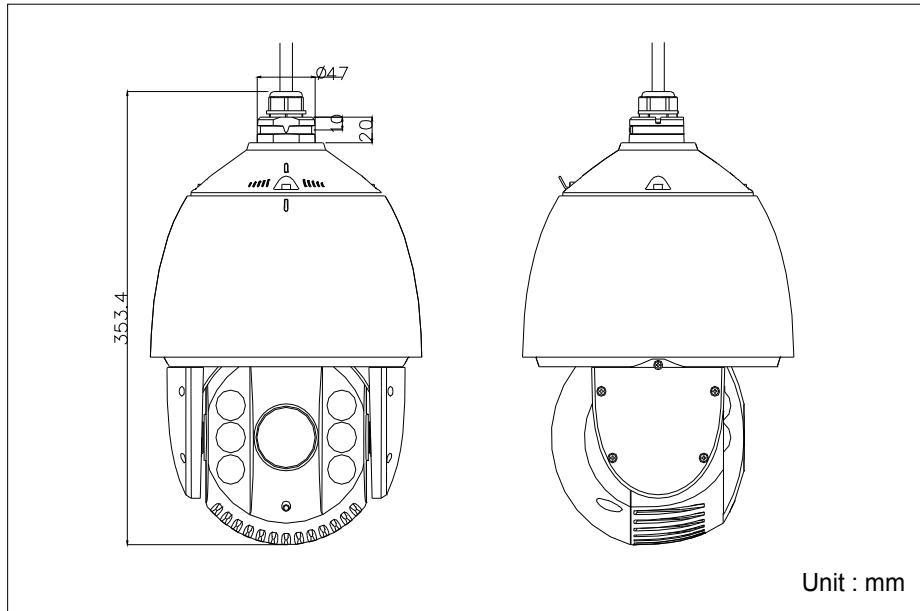
It can be widely applied to places with no lights or weak lights requiring wide-area and high-speed monitoring, such as rivers, forests, highways, railways, airports, ports, sentries, squares, parks, scenic sites, streets, stations, large venues, outside of residential areas, etc.

Specifications

Model Parameter		HDS-AE7168IR-A
		E series High PTZ Dome Camera
Camera	Image Sensor	1/3" Sony CCD
	Effective Pixel	PAL: 976(H)×582(V)
	Horizontal Resolution	Color: 700 TVL B/W: 750 TVL
	Signal System	PAL/NTSC
	Min. Illumination	0.02Lux/(F1.6, AGC ON), 0.0008Lux/(F1.6, AGC ON, sensitivity×256) (color) 0.002Lux/(F1.6, AGC ON), 0.00008Lux/(F1.6, AGC ON, sensitivity×256)(B/W) 0 Lux with IR
	White Balance	Auto / One touch WB/ ATW / Indoor / Outdoor
	AGC	Auto / Manual
	S / N Ratio	≥ 50dB
	DNR	High/Medium/Low/off
	WDR	128x(On/Off/Auto)
	Shutter Time	PAL: 1-1/10,000s NTSC: 1-1/10,000s
	Day & Night	IR Cut Filter
	Digital Zoom	16x
	Privacy Mask	8 privacy masks programmable; a maximum of 8 zones can be masked simultaneously on the same video screen
Focus Model	Auto / Semiautomatic / Manual	
Lens	Focal Length	3.3-119mm, 36X
	Zoom Speed	Approx.6 s(Optical Wide-Tele)
	Angle of View	57.1-1.7 degree(Wide-Tele)
	Min. Working Distance	10-1000mm (Wide-Tele)
	Aperture Range	F1.4-F3.7
Pan and Tilt	Pan Range	360°endless
	Pan Speed	Pan Manual Speed: 0.1°-160°/s, Pan Preset Speed: 240°/s
	Tilt Range	-15°-90° (Auto Flip)
	Tilt Speed	Tilt Manual Speed: 0.1°-120°/s, Tilt Preset Speed: 200°/s

	Proportional Zoom	Rotation speed can be adjusted automatically according to zoom multiples
	Number of Preset	256
	Patrol	8 patrols, up to 32 presets per patrol
	Pattern	4 patterns, with the total recording time not less than 10 minutes
	Power-off Memory	Support
	Park Action	Preset / Patrol / Pattern / Pan / Tilt / Auto / Random / Frame / Panorama scan
	PTZ Position Display	On / Off
	Compass	Support , the north can be set
	Scheduled Task	Preset / Patrol / Pattern / Pan / Tilt / Auto / Random / Frame / Panorama scan
Infrared	IR Range	100m
	IR irradiation angle	Automatically adjusted, depending on the zoom ratio
Input/ Output	Monitor Output	1.0V[p-p] / 75Ω, PAL or NTSC composite, BNC
	Menu Language	English/Chinese
General	RS-485 Protocols	Pelco-P, Pelco-D, self-adaptive
	Power	24 VAC Max.30W(IR LED On, Heater On) Max.24W(IR LED On) Max.15W(IR LED Off, Heater Off)
	Working Temperature / Humidity	-30 ℃-65℃(-22℉-149℉)(outdoor dome) 90% or less
	Protection Level	IP66 standard (outdoor dome) TVS 4,000V lightning protection, surge protection and voltage transient protection
	Mounting	Various mounting modes optional
	Dimensions	Φ245 ×399mm (Φ9.65" ×15.71") (Outdoor)
	Weight (approx.)	5.5kg(12.13lbs)
	Mount Option (only suitable for outdoor dome)	Long-arm wall mount; Pendent mount; Ceiling mount

Dimensions



Accessories



Long-arm wall mount bracket